

SPECIFICATIONS	Model 50UT2.75S	UT-series							
		0.75kW, 1-phase							
<p>Type of Pump Submersible cast iron vortex pump suitable for pumping sewage and wastewater</p> <p>Type of Fluid Sewage, wastewater, and water carrying solid matters</p> <p>Temperature: 0 to 40°C</p> <p>Discharge Bore 50mm</p> <p>Motor Output 0.75kW</p> <p>Power Supply Single-phase</p> <p>Starting Method Capacitor Run</p> <p>Motor Continuous-duty rated, dry-type induction motor</p> <p>Insulation Class: E Degree of Protection: IP68</p> <p>No. of Poles & Speed (Synchronous Speed) 2-pole, 3000/3600min⁻¹ (50/60Hz)</p> <p>Power Supply Voltages & Rated Currents</p> <table border="0"> <tr> <td>50Hz</td> <td>60Hz</td> </tr> <tr> <td>220V – 5.3A</td> <td>110V – 11.6A</td> </tr> <tr> <td>230V – 5.3A</td> <td>220V – 5.8A</td> </tr> <tr> <td>240V – 4.5A</td> <td></td> </tr> </table> <p>Power Cable Sheath: PVC Standard Length: 5m 100 to 240V supply: 1 × 3 × 1.25mm², O.D. 10.1mm</p> <p>Dry Weight (excluding cable) 16.5kg</p>	50Hz	60Hz	220V – 5.3A	110V – 11.6A	230V – 5.3A	220V – 5.8A	240V – 4.5A		<p>Impeller Vortex impeller made of glass-fiber reinforced PPO</p> <p>Solids Passage 50Hz – ϕ35mm 60Hz – ϕ35mm</p> <p>Cable Entry with Anti-Wicking Block Watertight cable entry with strain-relief device. The anti-wicking block prevents water incursion due to capillary action should the power cable be damaged or the end submerged.</p> <p>Bearings Permanently lubricated, deep-groove, double-shielded C3 ball bearings</p> <p>Shaft 403 stainless steel</p> <p>Shaft Seal (Mechanical Seal) Furnished with a double-face mechanical seal located in oil chamber. Both upper and lower seal faces always run in a clean environment.</p> <p>Upper Seal Faces: Ceramic + Carbon Lower Seal Faces: Ceramic + Carbon</p> <p>OIL LIFTER (Patented) Equipped in oil chamber. It forcibly supplies lubricating oil to the mechanical seal and continues to supply the oil to the upper seal faces even if lubricant falls below the rated volume.</p> <p>Type of Lubricating Oil & Volume Turbine Oil (ISO VG32), 160ml</p> <p>Motor Protection Device A circle thermal protector built in the motor housing. Directly cuts the motor circuit if excessive heat builds up or an overcurrent condition occurs in the motor.</p>
50Hz	60Hz								
220V – 5.3A	110V – 11.6A								
230V – 5.3A	220V – 5.8A								
240V – 4.5A									
<p>Optional Accessories</p> <p>TOK Set (Guide Rail Fitting Type)</p> <ul style="list-style-type: none"> • Duckfoot Bend • Guide Support • Guide Hook • Lifting Chain 4m (with Shackles) 									
TSURUMI MANUFACTURING CO., LTD.									

NO. A-20683-1

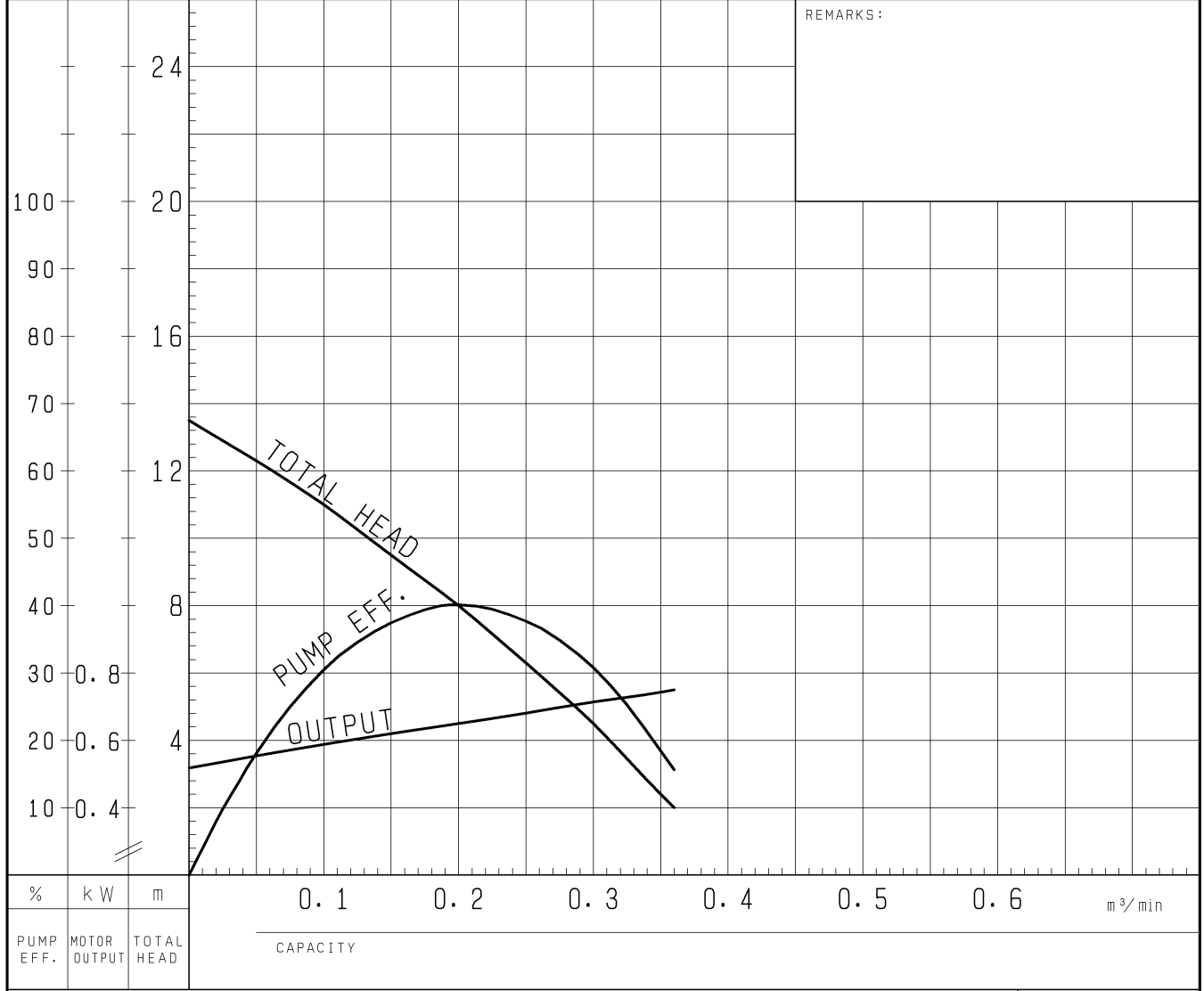
PUMP PERFORMANCE CURVES

TYPE Sewage Submersible Vortex Pump	MODEL 50UT2.75S -62	FREQUENCY 60 Hz
-------------------------------------	---------------------	-----------------

CUSTOMER'S NAME _____

EQUIPMENT TITLE _____ NO. _____

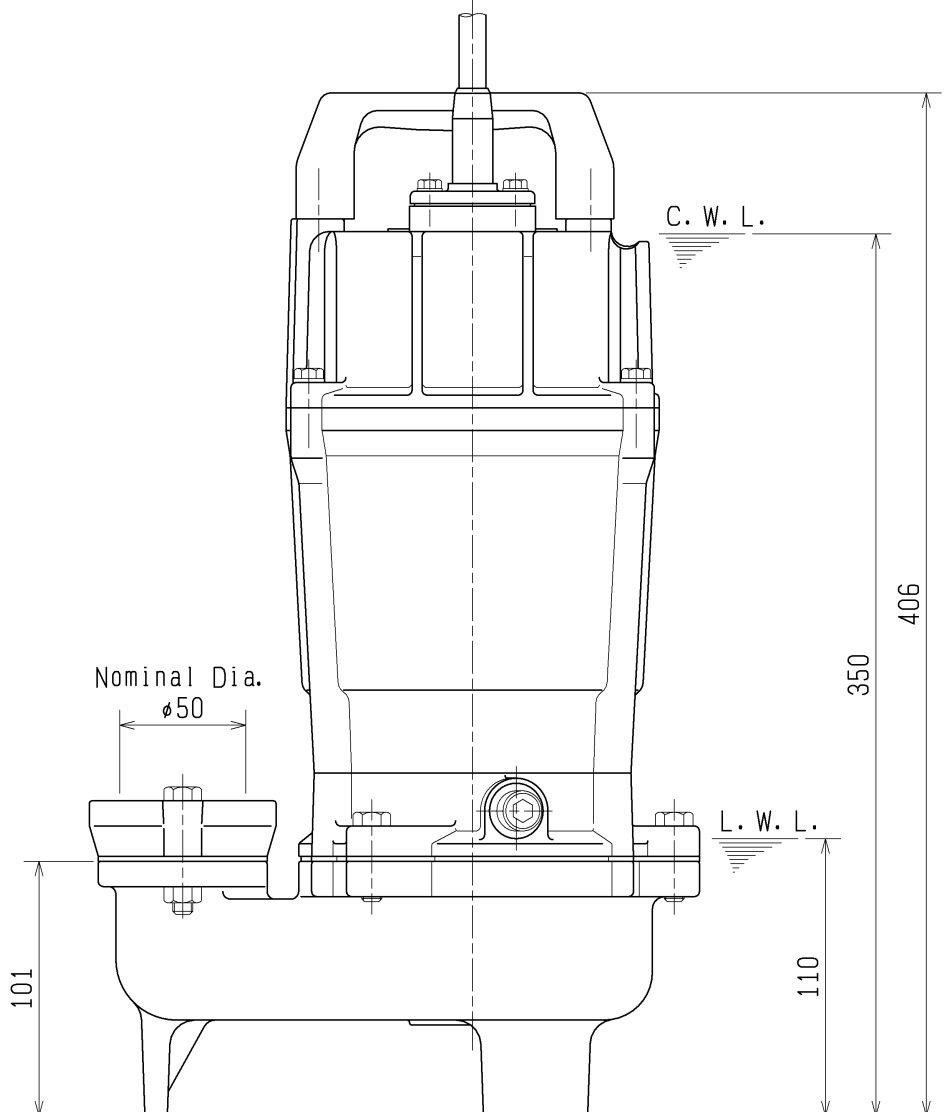
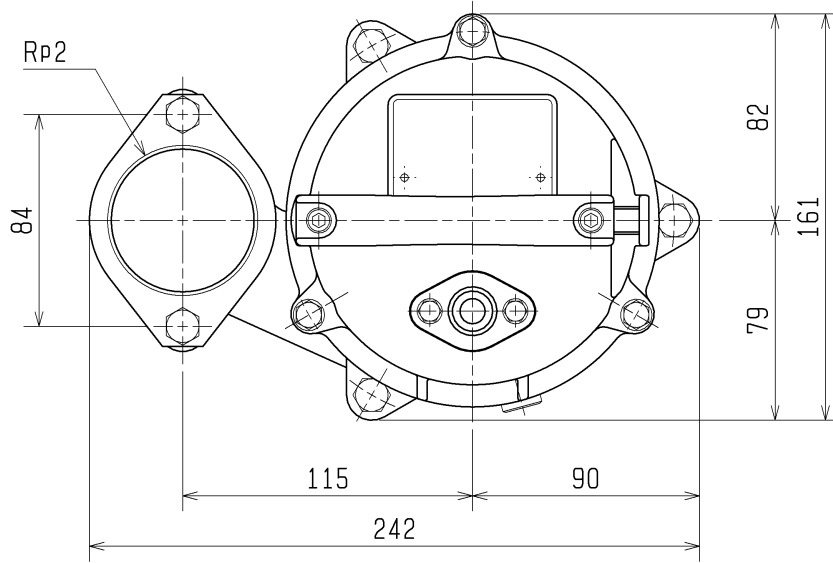
	STANDARD SPECIFICATIONS	REQUIRED SPECIFICATIONS
DISCHARGE BORE	50 mm	mm
TOTAL HEAD	MAX. 13.5 m	m
CAPACITY	MAX. 0.36 m ³ /min	m ³ /min
MOTOR OUTPUT	0.75 kW	kW
PHASE x VOLTAGE	1 ϕ x V	ϕ x V
CURRENT	A	A
POLES / REVOLUTION	2 P / S. S. 3600 min ⁻¹	P / min ⁻¹
STARTING METHOD	CAPACITOR MOTOR	
INSULATION CLASS	E	



TSURUMI MFG. CO., LTD.

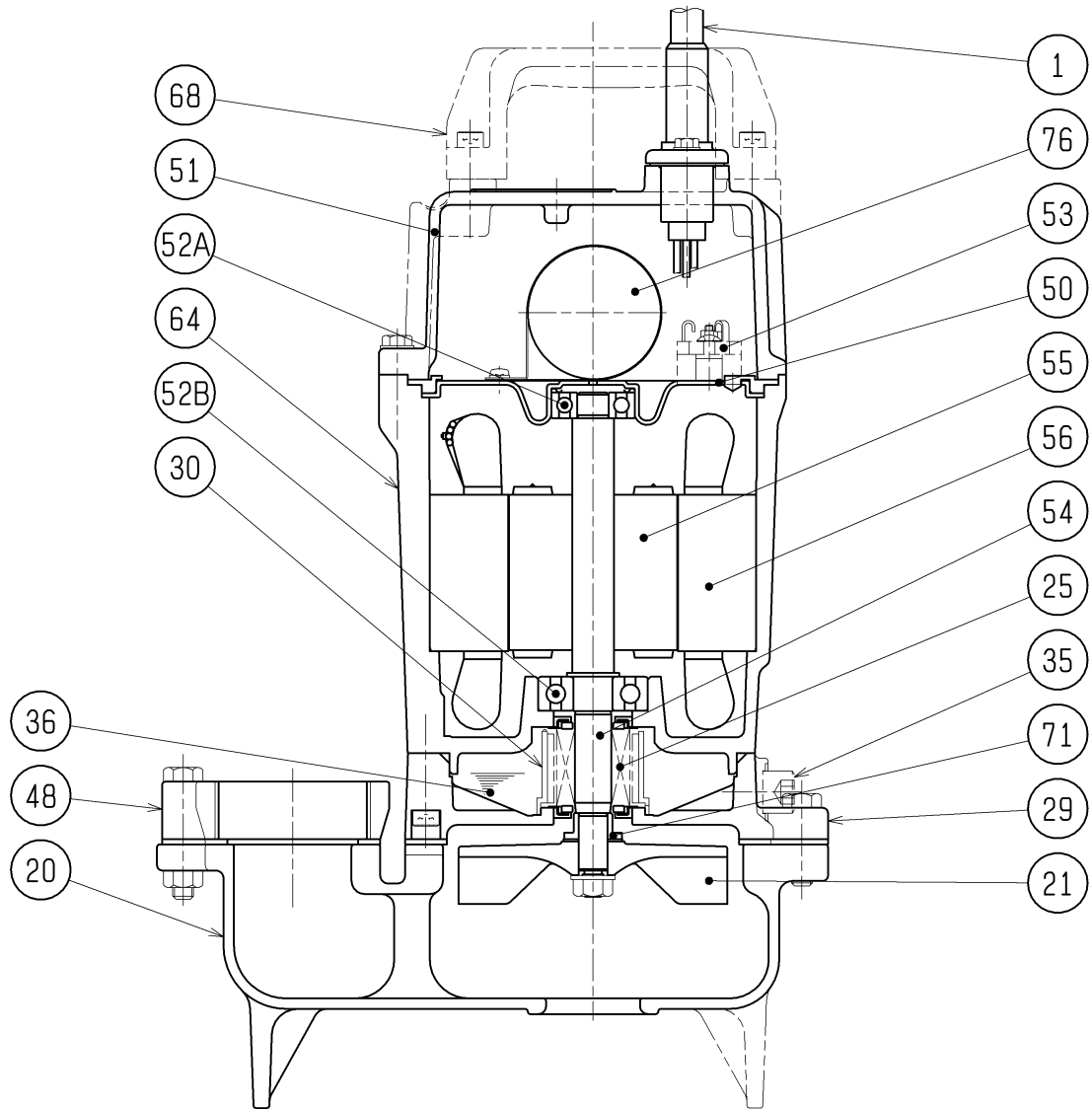
DIMENSION DRAWING		No.	No. A-20692-1
TYPE	Sewage Submersible Vortex Pump	MODEL	50UT2.75S -52/62

Approximate Weight (※)
16.5kg



C.W.L. :Continuous running Water Level
 L.W.L. :Lowest running Water Level

SECTIONAL DRAWING		No.	No. A-20701-2
TYPE	Submersible Vortex Sewage Pump	MODEL	50UT2.75S -52/62



REQ. SPECIFICATION

No.	DESCRIPTION	Q'TY	MATERIAL / NOTE	No.	DESCRIPTION	Q'TY	MATERIAL / NOTE
1	Cable	1	PVC Sheath	52A	Upper Bearing	1	6201ZZC3
20	Pump Casing	1	Gray Iron Casting	52B	Lower Bearing	1	6302ZZC3
21	Impeller	1	Plastic W/GF	53	Motor Protector	1	
25	Mechanical Seal	1	W-14VCA	54	Shaft	1	Stainless Steel 403
29	Oil Casing	1	Gray Iron Casting	55	Rotor	1	
30	Oil Lifter	1	Plastic	56	Stator	1	
35	Oil Plug	1	Stainless Steel 304	64	Motor Frame	1	Gray Iron Casting
36	Lubricant		Turbine Oil (ISO VG32)	68	Handle	1	Plastic
48	Screwed Flange	1	Gray Iron Casting	71	Shaft Sleeve	1	Stainless Steel 304
50	Motor Bracket	1	Steel Sheet	76	Capacitor	1	
51	Head Cover	1	Gray Iron Casting				