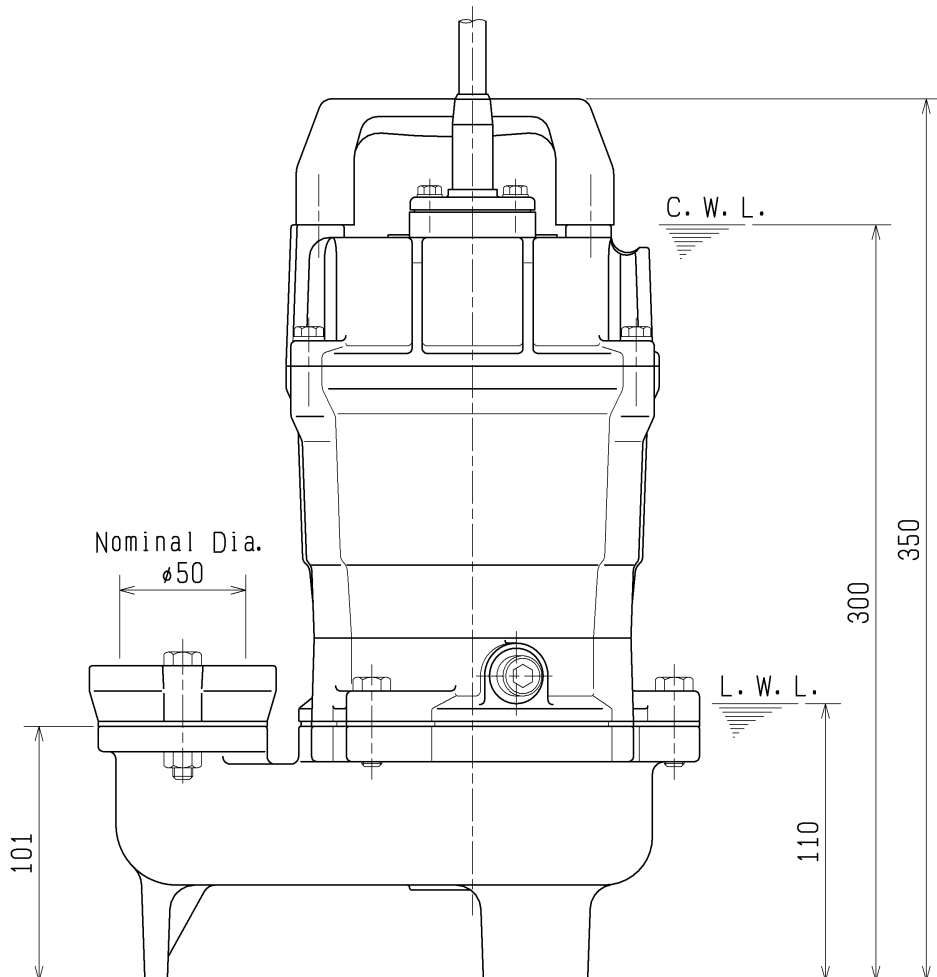
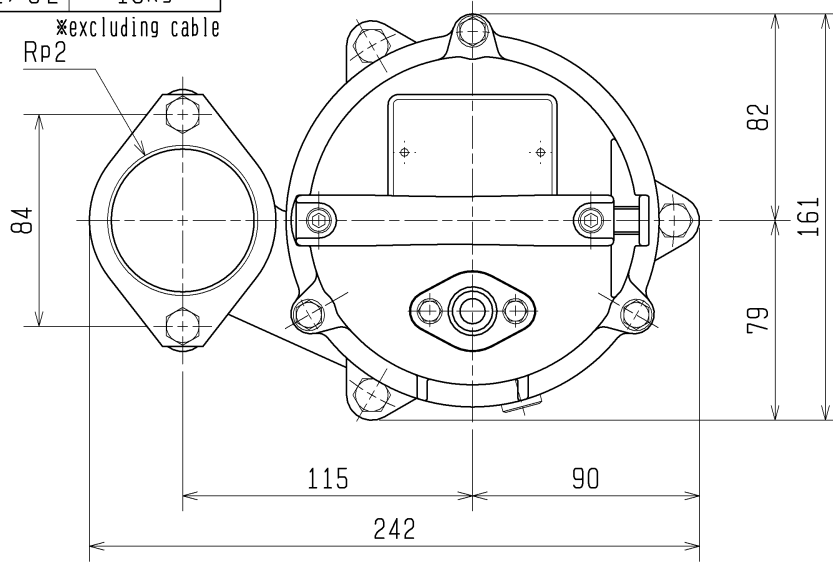


SPECIFICATIONS	Model	UT-series								
	50UT2.4	0.4kW, 3-phase								
<p>Type of Pump Submersible cast iron vortex pump suitable for pumping sewage and wastewater</p> <p>Type of Fluid Sewage, wastewater, and water carrying solid matters</p> <p>Temperature: 0 to 40°C</p> <p>Discharge Bore 50mm</p> <p>Motor Output 0.4kW</p> <p>Power Supply Three-phase</p> <p>Starting Method Direct on Line</p> <p>Motor Continuous-duty rated, dry-type induction motor</p> <p>Insulation Class: E Degree of Protection: IP68</p> <p>No. of Poles & Speed (Synchronous Speed) 2-pole, 3000/3600min⁻¹ (50/60Hz)</p> <p>Power Supply Voltages & Rated Currents</p> <table border="0"> <tr> <td>50Hz</td> <td>60Hz</td> </tr> <tr> <td>380V – 1.2A</td> <td>220V – 2.2 A</td> </tr> <tr> <td>400V – 1.3A</td> <td>380V – 1.2 A</td> </tr> <tr> <td>415V – 1.4A</td> <td>440V – 1.05A</td> </tr> </table> <p>Power Cable Sheath: PVC Standard Length: 5m 200 to 600V supply: 1 × 4 × 1.25mm², O.D. 11.1mm</p> <p>Dry Weight (excluding cable) 13kg</p>	50Hz	60Hz	380V – 1.2A	220V – 2.2 A	400V – 1.3A	380V – 1.2 A	415V – 1.4A	440V – 1.05A	<p>Impeller Vortex impeller made of glass-fiber reinforced PPO</p> <p>Solids Passage 50Hz – ϕ35mm 60Hz – ϕ35mm</p> <p>Cable Entry with Anti-Wicking Block Watertight cable entry with strain-relief device. The anti-wicking block prevents water incursion due to capillary action should the power cable be damaged or the end submerged.</p> <p>Bearings Permanently lubricated, deep-groove, double-shielded C3 ball bearings</p> <p>Shaft 403 stainless steel</p> <p>Shaft Seal (Mechanical Seal) Furnished with a double-face mechanical seal located in oil chamber. Both upper and lower seal faces always run in a clean environment.</p> <p>Upper Seal Faces: Ceramic + Carbon Lower Seal Faces: Ceramic + Carbon</p> <p>OIL LIFTER (Patented) Equipped in oil chamber. It forcibly supplies lubricating oil to the mechanical seal and continues to supply the oil to the upper seal faces even if lubricant falls below the rated volume.</p> <p>Type of Lubricating Oil & Volume Turbine Oil (ISO VG32), 160ml</p> <p>Motor Protection Device A circle thermal protector built in the motor housing. Directly cuts the motor circuit if excessive heat builds up or an overcurrent condition occurs in the motor.</p>	<p>Optional Accessories</p> <p>TOK Set (Guide Rail Fitting Type)</p> <ul style="list-style-type: none"> • Duckfoot Bend • Guide Support • Guide Hook • Lifting Chain 4m (with Shackles)
50Hz	60Hz									
380V – 1.2A	220V – 2.2 A									
400V – 1.3A	380V – 1.2 A									
415V – 1.4A	440V – 1.05A									
TSURUMI MANUFACTURING CO., LTD.										

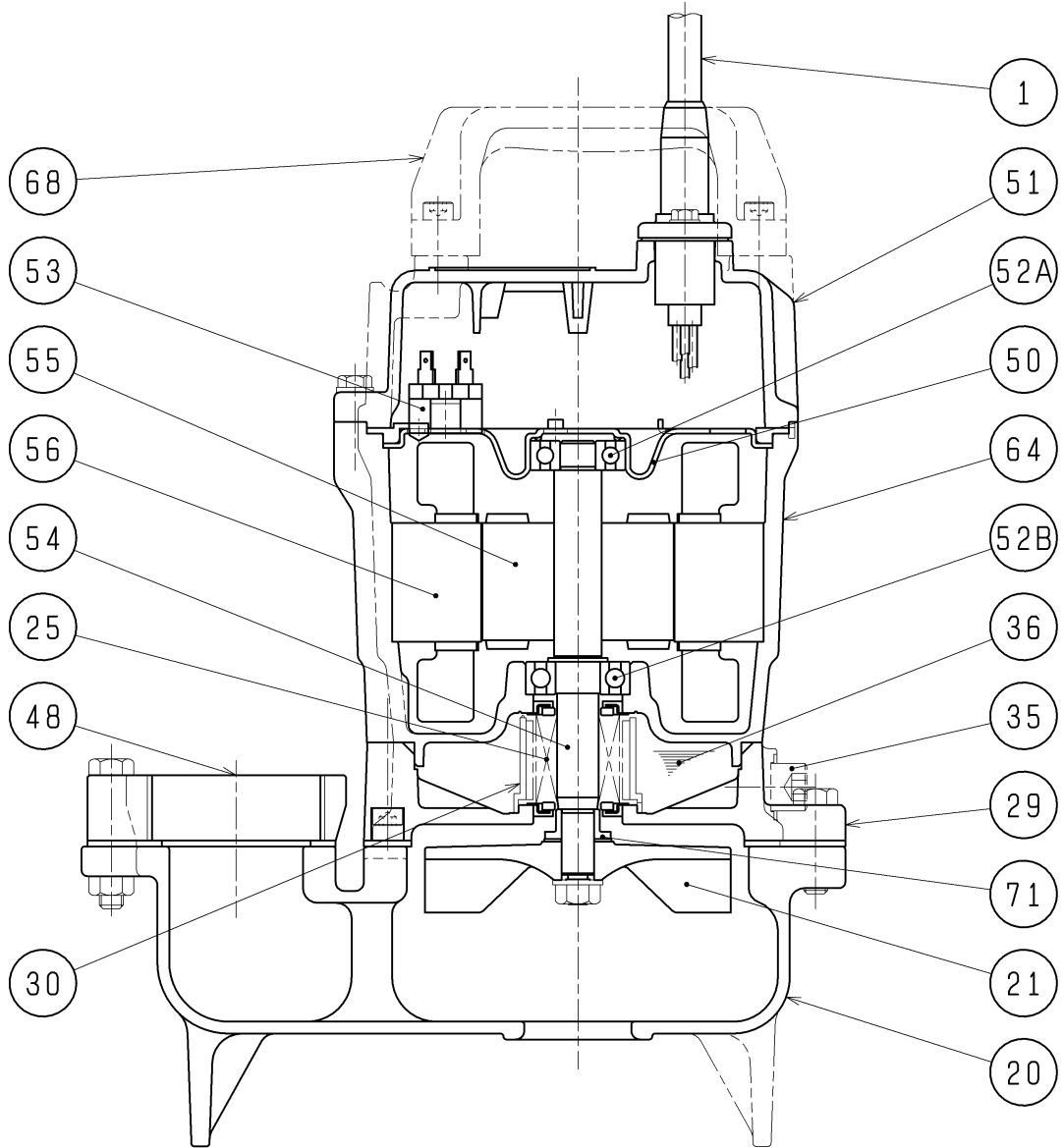
DIMENSION DRAWING		No.	No. A-20690-1
TYPE	Sewage Submersible Vortex Pump	MODEL	5OUT2.4S -52/62 5OUT2.4 -52/62

MODEL	Approximate Weight (※)
5OUT2.4S-52/62	13.5kg
5OUT2.4-52/62	13kg



C.W.L.:Continuous running Water Level
L.W.L.:Lowest running Water Level

SECTIONAL DRAWING		No.	No. A-20699-2
TYPE	Sewage Submersible Vortex Pump	MODEL	50UT2.4 -52/62



REQ. SPECIFICATION

No.	DESCRIPTION	Q'TY	MATERIAL / NOTE	No.	DESCRIPTION	Q'TY	MATERIAL / NOTE
1	Cable	1	PVC Sheath	52A	Upper Bearing	1	6201ZZC3
20	Pump Casing	1	Gray Iron Casting	52B	Lower Bearing	1	6202ZZC3
21	Impeller	1	Plastic W/GF	53	Motor Protector	1	
25	Mechanical Seal	1	W-14VCA	54	Shaft	1	Stainless Steel 403
29	Oil Casing	1	Gray Iron Casting	55	Rotor	1	
30	Oil Lifter	1	Plastic	56	Stator	1	
35	Oil Plug	1	Stainless Steel 304	64	Motor Frame	1	Gray Iron Casting
36	Lubricant		Turbine Oil (ISO VG32)	68	Handle	1	Plastic
48	Screwed Flange	1	Gray Iron Casting	71	Shaft Sleeve	1	Stainless Steel 304
50	Motor Bracket	1	Steel Sheet				
51	Head Cover	1	Gray Iron Casting				