



Submersible Sewage Pumps
Vortex Impeller
UT / UTZ

Compact Economical Cast Iron Pumps

Economical

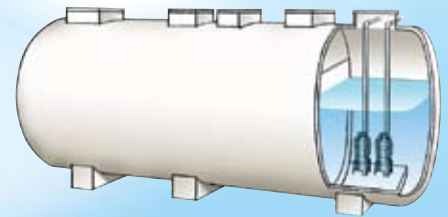
The UT / UTZ Series is an economical version of the Tsurumi U Series, semi-vortex submersible pumps. It is designed for a wide range of applications.

Large Diameter Passage

The pump has a large passage that makes it ideal for liquid containing various solids.

Available in Automatic Operation

Automatic version equipped with floats.



NEW



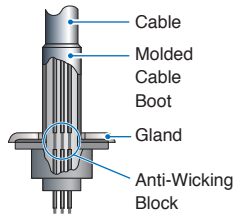
Applications

- Transferring wastewater between storage tanks
- Draining sewage from factories, home residences, hotels, restaurants, etc.
- Pumping water run-off containing solids.

Features

Anti-wicking Cable Entrance

Maximum protection against water incursion through the cable entry.



Motor Protector

A built-in thermal motor protection device reacts to the heat caused by overcurrent or run-dry conditions by shutting down the motor circuit automatically. When the motor cools down to a safe operating temperature, the motor restarts.

Dual Inside Mechanical Seal

The dual inside mechanical seal (dual face mechanical seal located in an oil bath) is incorporated in all pumps. As both top and bottom sealing faces are lubricated by the oil, it ensures a longer life of the product and a stable sealing effect.

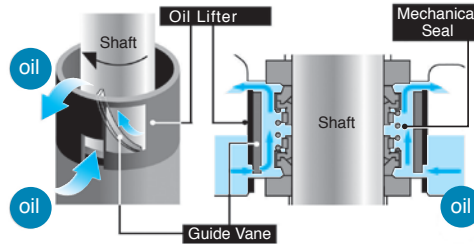
Oil Lifter (Patented)

Tsurumi's exclusive Oil Lifter encloses the mechanical seal and uses the centrifugal force generated by the rotating shaft and seal to pump oil to the upper seal faces. Upper and lower seal faces are positively lubricated even when extremely low oil levels exist, as experienced after long periods of extended operation.

Automatic Operation with Float Switch

(50UTZ2.4S & 50UTZ2.75S)

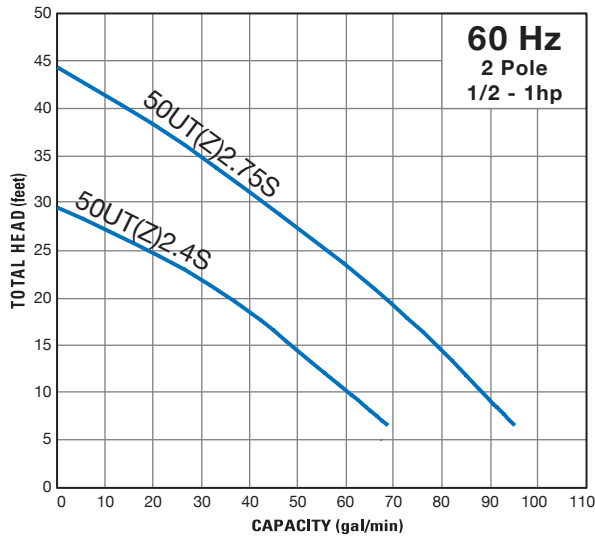
The pump operates a float switch for automatic operation to prevent dry running and lower power consumption.



Major Standard Specifications

Discharge Size		2 inches (50mm)		
Pumping Fluid	Type of Fluid	Sewage, Wastewater, and Liquid carrying Waste and Solid Matters		
	Fluid Temperature	32 to 104°F (0 to 40°C)		
Pump	Structure	Impeller	Vortex	
		Shaft Seal	Double Mechanical Seal (with Oil Lifter)	
		Bearing	Double-shielded Ball Bearing	
	Materials	Impeller	Glass-fiber Reinforced Resin	
Shaft Seal		Silicon Carbide		
Motor	Type, Pole	Dry Type Submersible Induction Motor, 2-pole		
	Insulation	Class E		
	Phase	Single-phase		
	Starting Method	Capacitor Run		
	Protection Device (Built-in)	Circle Thermal Protector Miniature Thermal Protector (50UT2.4S only)		
	Lubricant	Turbine Oil (ISO VG32)		
	Materials	Frame	Gray Cast Iron	
		Shaft	403 Stainless Steel	
		Cable	PVC	
	Float Switch	Housing	Polypropylene Resin	
Cable		Chloroprene Rubber		
Discharge Connection		Screwed Flange		

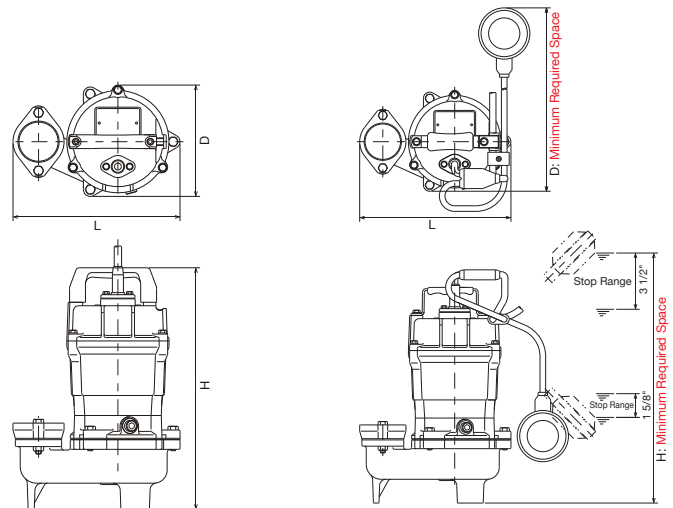
Performance Curves



Dimensions

<50UT2.4S and 50UT2.75S>

<50UTZ2.4S and 50UTZ2.75S>



Standard Specifications

Model	Discharge Size (inch)	Motor Output (HP)	Voltages (V)	Phase	Impeller Material	Dimensions (inch)			Solids Passage (inch)	Cable length (ft)	Pump Weight (lbs.)
						L	D	H			
50UT2.4S	2	1/2	115/220	1Ø	PPO Resin	9 1/2	6 3/8	13 3/4	1.4	20	31
50UTZ2.4S	2	1/2	115/220	1Ø	PPO Resin	9 1/2	11 5/8 ^{*1}	15 3/4 ^{*1}	1.4	20	31
50UT2.75S	2	1	115/220	1Ø	PPO Resin	9 1/2	6 3/8	16	1.4	20 ^{*2}	37
50UTZ2.75S	2	1	115/220	1Ø	PPO Resin	9 1/2	11 5/8 ^{*1}	18 ^{*1}	1.4	20 ^{*2}	37

^{*1} Minimum Required Space ^{*2} 32ft is optional

We reserve the right to change the specifications and designs for improvement without prior notice.



TSURUMI (AMERICA), INC. • 1625 FULLERTON COURT, GLENDALE HEIGHTS, IL 60139 • TOLL-FREE 1-888-878-7864 • FAX 1-630-793-0146 • info@tsurumiamerica.com

www.tsurumipump.com

TAI_UT_OCT2011_DC/NZ-D-G-N