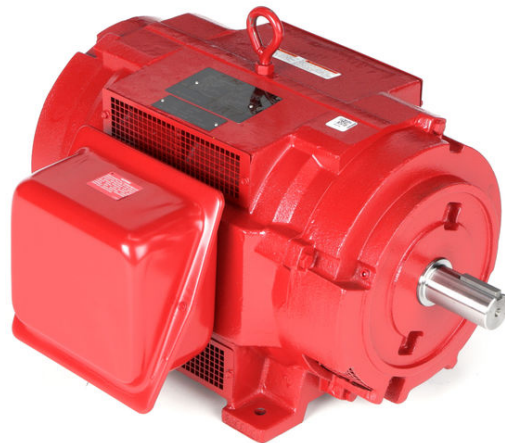


# PRODUCT INFORMATION PACKET

**marathon**<sup>®</sup>  
Motors

Model No: 286TSTDBD4022  
Catalog No: U592  
40,3600,DP,286TS,3/60/230/460  
JP



Regal and Marathon are trademarks of Regal Beloit Corporation or one of its affiliated companies.  
©2018 Regal Beloit Corporation, All Rights Reserved. MC017097E

**REGAL**<sup>®</sup>



### Nameplate Specifications

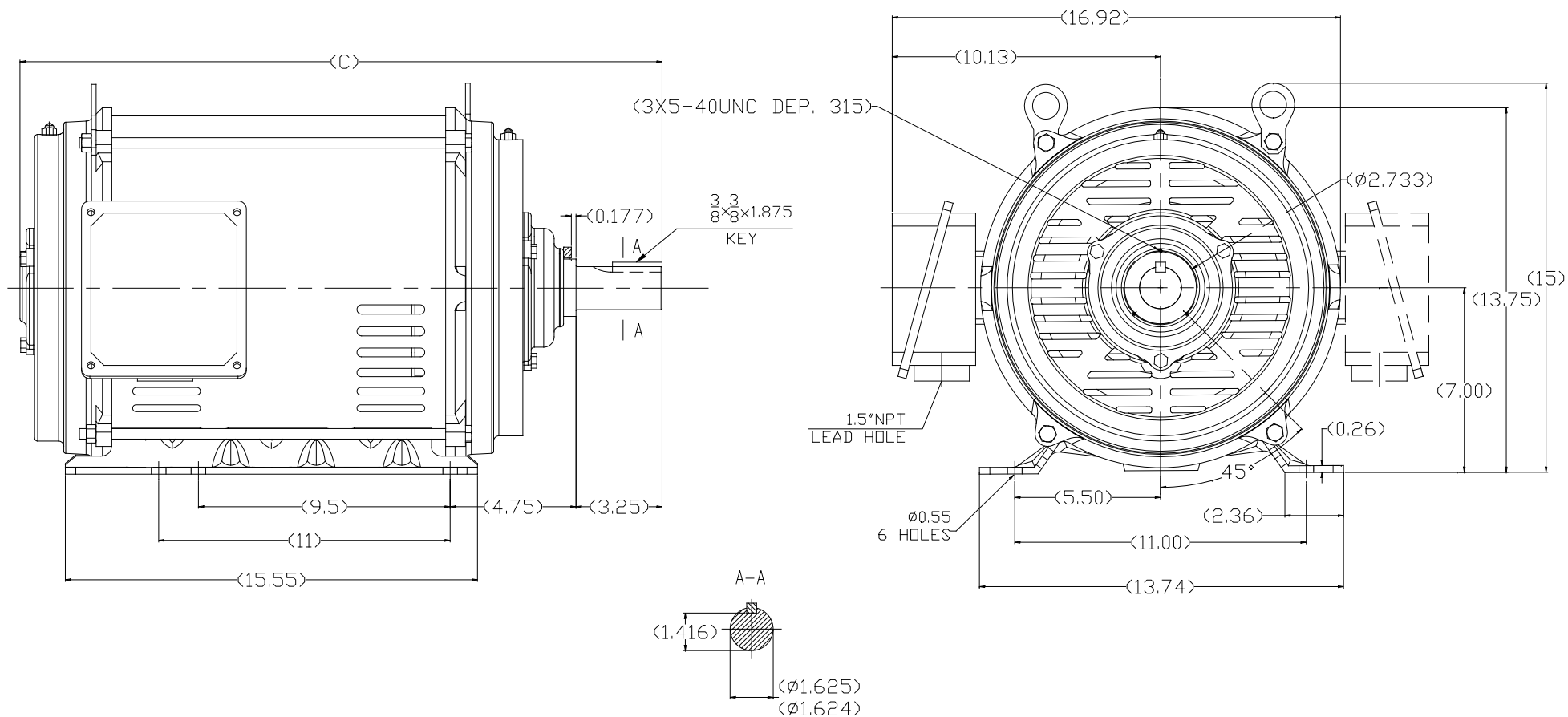
Output HP	<b>40 Hp</b>	Output KW	<b>30.0 kW</b>
Frequency	<b>60 Hz</b>	Voltage	<b>230/460 V</b>
Current	<b>94.0/47.0 A</b>	Speed	<b>3555 rpm</b>
Service Factor	<b>1.15</b>	Phase	<b>3</b>
Efficiency	<b>91.7 %</b>	Duty	<b>Continuous</b>
Insulation Class	<b>F</b>	Design Code	<b>B</b>
KVA Code	<b>F</b>	Frame	<b>286TS</b>
Enclosure	<b>Drip Proof</b>	Overload Protector	<b>No</b>
Ambient Temperature	<b>50 °C</b>	Drive End Bearing Size	<b>6211</b>
Opp Drive End Bearing Size	<b>6211</b>	UL	<b>No</b>
CSA	<b>Y</b>	CE	<b>Y</b>
IP Code	<b>23</b>		

### Technical Specifications

Electrical Type	<b>Squirrel Cage Induction Run</b>	Starting Method	<b>Part Wdg Start &amp; Wye Start Delta Run</b>
Poles	<b>2</b>	Rotation	<b>Reversible</b>
Mounting	<b>Rigid base</b>	Motor Orientation	<b>HORIZONTAL</b>
Drive End Bearing	<b>BALL</b>	Opp Drive End Bearing	<b>BALL</b>
Frame Material	<b>Rolled Steel</b>	Shaft Type	<b>TS</b>
Overall Length	<b>25.72 in</b>	Frame Length	<b>13.97 in</b>
Shaft Diameter	<b>1.625 in</b>	Shaft Extension	<b>3.25 in</b>
Assembly/Box Mounting	<b>F1/F2 CAPABLE</b>		
Outline Drawing	<b>SS620709-286TS</b>	Connection Diagram	<b>EE7308AA</b>

This is an uncontrolled document once printed or downloaded and is subject to change without notice. Date Created: 10/30/2018

SS620709



284TS	24.34	YES
286TS	25.72	YES
FRAME	C	F1/F2

		TOLERANCES UNLESS SPECIFIED				DRAWN WY 25-2-2016	
		DEC.	INCHES			CHK ZXW 25-2-2016	
		.X	±.1			APPD ZYH 25-2-2016	
		.XX	±.03			SCALE 1:1	
		.XXX	±.005	TITLE		REF	
A		.XXXX	±.0005	MAT'L.		FMF	
ND.		REVISION	BY & DATE	CHK	ANG	±1/2"	FINISH
THIS DRAWING IN DESIGN AND DETAIL IS OUR PROPERTY AND MUST NOT BE USED EXCEPT IN CONNECTION WITH OUR WORK ALL RIGHTS OF DESIGN AND INVENTION ARE RESERVED THIS IS AN ELECTRONICALLY GENERATED DOCUMENT - DO NOT SCALE THIS PRINT				RFP	CAD FILE		SS620709
				DIST	SIZE	DRAWING NO.	PAGE OF REV.
					B	SS620709	A



### LOW VOLTAGE



### HIGH VOLTAGE



### VIEW OF TERMINAL END

DRAWING REVISION <b>K</b>	REVISION BY <b>AJW</b>	DATE <b>07-17-2015</b>
ECO <b>ECO-0081632</b>	APPROVED BY <b>T. VUE</b>	DATE <b>07-17-2015</b>
ECO DESCRIPTION <b>REV'D IEC MARKINGS PER IEC 60034-8</b>		
COPYRIGHT REGAL BELOIT AMERICA, INC. ALL RIGHTS RESERVED. PROPRIETARY AND CONFIDENTIAL INFORMATION - THIS DOCUMENT IS THE PROPERTY OF REGAL BELOIT AMERICA, INC. ("OWNER") AND CONTAINS OWNER'S PROPRIETARY INFORMATION. ANY PERSON, CORPORATION OR OTHER FIRM RECEIVING IT IS DEEMED, BY RECEIVING IT, TO AGREE THAT IT, AND/OR ANY PART OF IT, SHALL NOT BE DISCLOSED TO ANY PERSON, CORPORATION OR OTHER ENTITY, DUPLICATED, AND/OR USED, EXCEPT AS EXPRESSLY APPROVED IN WRITING IN ADVANCE BY OWNER. THIS DOCUMENT SHALL BE RETURNED TO OWNER UPON REQUEST. IT MAY BE SUBJECT TO CERTAIN RESTRICTIONS UNDER APPLICABLE EXPORT CONTROL LAWS AND REGULATIONS.		



DRAWN BY <b>LZ</b>	<b>Regal Beloit America, Inc.</b>	
DATE <b>01-12-1994</b>		
APPROVED BY <b>GK</b>	DESCRIPTION <b>CONN DIAGRAM-EXTERNAL</b> <b>3Ø-2/1 DELTA-12 LEADS</b>	
DATE <b>01-14-1994</b>		
REFERENCE	MATERIAL	PROCESS/FINISH
THIRD ANGLE PROJECTION	SIZE <b>A</b>	DRAWING NUMBER <b>EE7308AA</b>
		SHEET <b>1 OF 1</b>



P.O. BOX 8003  
WAUSAU, WI 54401-8003  
PH. 715-675-3311

DATA VOLTS: 460

CERTIFICATION DATA SHEET

CUSTOMER P.O. #:   
 ORDER #: EE7308AA   
 REFERENCE MODEL #: 286TSTDDBD4022   
 CONN. DIAGRAM: SS620709   
 CAT #: U592   
 OUTLINE: IE3L1802111 NONE 2   
 CUSTOMER PART #:   
 WINDING: IE3L1802111 NONE 2   
 MOUNTING: F1/F2 CAPABLE   
 SPEED:   
 TYPICAL MOTOR PERFORMANCE DATA

HP	KW	SYNC RPM	FL RPM	FRAME	ENCLOSURE	TYPE	KVA CODE	DESIGN
40	30	3600	3555	286TS	DP	TDC	F	B

PH	HZ	VOLTS	AMPS	START TYPE	DUTY	INSL	S.F.	AMB	ELEV.
3	60/50	230/460#190/380	94/47&87/43.5	WS(LV ONLY) & YDRU	CONT	F	1.15	50	3300
	F.L. EFF	91.7	3/4 LD EFF	91.7	1/2 LD EFF	90.2	GTD EFF		ELECT. TYPE
	F.L. PF	87.0	3/4 LD PF	84.0	1/2 LD PF	76.0	90.2		SQ CAGE IND RUN

F.L. TORQUE	LR AMPS @ 460 V	L.R. TORQUE	B.D. TORQUE	F.L. RISE (°C)		
59.0 LB-FT	270	87.0 LB-FT	145 LB-FT	246%		
@ 3 FT.	POWER	ROTOR WK <sup>2</sup>	MAX. LOAD WK <sup>2</sup>	SAFE STALL TIME	START/SHOUR	MOTOR WGT
999 DBA	1008 DBA	0.00 LB-FT <sup>2</sup>	0 LB-FT <sup>2</sup>	20 SEC.	2	0 LB.

\*\*\* SUPPLEMENTAL INFORMATION \*\*\*

DE BRACKET TYPE	ODE BRACKET TYPE	MOUNT TYPE	MOTOR ORIENTATION	SEVERE DUTY	HAZARDOUS LOCATION	DRIP COVER	SCREENS	PAINT
STANDARD	STANDARD	RIGID	HORIZONTAL	NO	NONE	NO	NONE	RED (ENAMEL)

BEARINGS	GREASE	SHAFT TYPE	SPECIAL DE	SPECIAL ODE	SHAFT	MATERIAL	FRAME MATERIAL
DE BALL 6211	POLYREX EM	TS	NONE	NONE	1045 HOT ROLLED (C-204)		ROLLED STEEL

THERMOSTATS	PROTECTORS	WDG RTD's	BRG RTD's	THERMISTORS	CONTROL	SPACE HEATERS
NONE	NOT	NONE	NONE	NONE	FALSE	NA

R1 (ohms/ph)	R2 (ohms/ph)	X1 (ohms/ph)	X2 (ohms/ph)	Xm (ohms/ph)	VIBRATION (in/sec)	FLOAT
0.17	0.078	0.468	0.7	16.945	0.150	ODE

* N		INVERTER TORQUE: NONE	
O		INV. HP SPEED RANGE: NONE	
T		ENCODER: NONE	
E		BRAKE: NONE	
S		FT-LB: NONE	
		VOLTAGE: NONE	
		HZ: NONE	

PREPARED BY: FAREEDA DUDEKULA  
 DATE: 9/17/2018  
 FORM: 3531 REV 4 2/27/06

Data Sheet

Date: 9/17/2018

Customer: \_\_\_\_\_  
Attention: \_\_\_\_\_

Submitted by: FAREEDA DUDEKULA



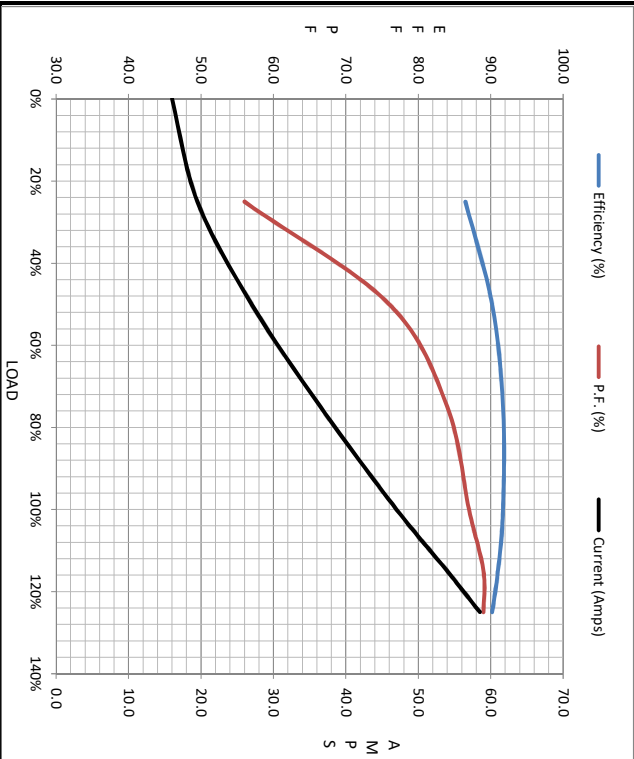
2861STDBD4022

Submital Data @ 460 V

Motor Load Data									
Load	0%	25%	50%	75%	100%	115%	125%	LR	
Current (Amps)	16.0	19.5	27.0	36.5	47.0	54.0	58.5	270	
Torque (ft-lb)	0.00	14.6	29.5	44.0	59.0	68.0	74.0	87.0	
RPM	3600	3590	3578	3565	3555	3,545	3540	0	
Efficiency (%)		86.5	90.2	91.7	91.7	91.0	90.2		
P.F. (%)	8.0	56.0	76.0	84.0	87.0	89.0	89.0	37.0	

Motor Speed Data					
	LR	Pull-Up	BD	Rated	Idle
Speed (RPM)	0	1800	3350	3555	3600
Current (Amps)	270	250	155	47.0	16.0
Torque (ft-lb)	87.0	75.0	145	59.0	0.00

Information Block	
HP	40.0
Sync. RPM	3600
Frame	2861B2TFC6080
Enclosure	DP
Construction	TDC
Voltage	230/460#190/380 V
Frequency	60 Hz
Design	B
LR Code letter	F
Service Factor	1.15
Temp Rise @ FL	40 °C
Duty	CONT
Ambient	40 °C
P Elevation	1,000 feet
Motor/Shaft wk <sup>z</sup>	0.00 Lb-Ft <sup>z</sup>
Ret Wdg	IE3L1802111 NONE
Sound Pressure @ 1M	999 DBA
VFD Rating	NONE
Outline Dwg	SS620709
Conn. Diag	EE7308AA
Additional Specifications:	
0	
0	



EQUIV CKT (OHMS / PHASE)			
R1	R2	X1	X2
0.1700	0.0780	0.4680	0.7000
Xm			16.9450

